

Highload Anchor SL

Steel, zinc plated / Stainless steel A4/316



Highload Anchor SL

Highload Anchor SL A4

Range of loading: 5,4 kN–65,5 kN
Range of concrete quality: C12/15–C50/60

Description

The Highload Anchor SL is a torque controlled sleeve anchor for through fastenings in uncracked concrete. Two versions are available: SL-S with hexagon head screw, SL-B with hexagon nut.

European Technical Assessment, Option 7 for anchor size M10 steel galvanized. German approval in concrete strength class C12/15.

Applications

Medium to heavy duty anchorings of base plates, supports, pallet racks, brackets, railings in uncracked concrete.



Highload Anchor SL



SL-B SL-S

→ Steel, zinc plated

→ For uncracked concrete

Description	Type SL-S	Type SL-B	Drill hole Ø x depth	Setting depth	Anchor length l		Fixture thickness	Thread	Pkg. cont.	Weight per pkg.
	Ref. No.	Ref. No.			Type S	Type B				
			mm	mm	mm	mm	t _{fix} mm		pcs.	kg
SL 14-0	10205101	12205101	14x85	73	84	86	0	M10	25	2,38
SL 14-10	10210101	12210101	14x85	73	94	96	10	M10	25	2,71
SL 14-25	10220101	12220101	14x85	73	109	111	25	M10	25	3,08
SL 14-50	10225101	12225101	14x85	73	134	136	50	M10	25	3,73
SL 14-75	10230101	12230101	14x85	73	159	161	75	M10	25	4,43
SL 14-100	10235101	12235101	14x85	73	179	181	100	M10	25	5,18
SL 14-125	-	12240101	14x85	73	-	210	125	M10	25	5,32
SL 14-160	-	12245101	14x85	73	-	245	160	M10	20	4,96

Other length and special assemblies on demand.

Highload Anchor SL A4¹⁾



SL-B SL-S

→ Stainless steel A4/316

→ For uncracked concrete

Description	Type SL-S	Type SL-B	Drill hole Ø x depth	Setting depth	Anchor length l		Fixture thickness	Thread	Pkg. cont.	Weight per pkg.
	Ref. No.	Ref. No.			Type S	Type B				
			mm	mm	mm	mm	t _{fix} mm		pcs.	kg
SL 14-10 A4	10210501	12210501	14x85	73	94	96	10	M 10	25	2,60
SL 14-25 A4	10220501	12220501	14x85	73	109	111	25	M 10	25	3,02
SL 14-50 A4	10225501	12225501	14x85	73	134	136	50	M 10	25	3,68
SL 28-30 A4	10610501	12610501	28x150	135	182	188	30	M 20	5	4,30
SL 28-60 A4	10615501	12615501	28x150	135	212	218	60	M 20	5	5,02

Other length and special assemblies on demand.

¹⁾Not part of assessment/approvals.



Extract from Permissible Service Conditions of European Technical Assessment ETA-08/0230

Approved loads for single anchor without influence of spacing and edge distance. The total safety factor (γ_M and γ_P) is included.

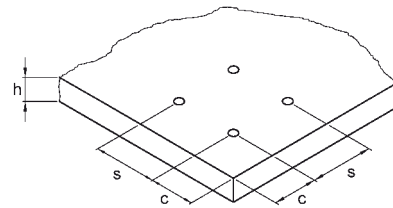
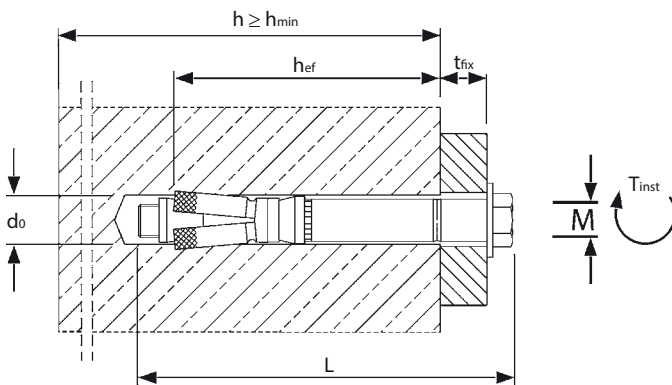
Recommended loads for the Highload Anchor SL

Recommended loads for single anchor without influence of spacing and edge distance. The total safety factor (γ_M and γ_P) is included.

Loads and performance data	Highload Anchor SL				SL 14 ¹⁾ M 10	SL 10 ¹⁾ M 6	SL 14 ¹⁾ M 10	SL 28 ¹⁾ M 20
					steel, zinc	A4-70	A4-70	A4-70
approved values - uncracked concrete								
Mean ultimate loads, tension	C25/30	Num	[kN]	43,3		15,9	40,8	160,8
Mean ultimate loads, shear	C25/30	V _{um}	[kN]	35,6		20,8	45,3	208,7
Loads, tension	C12/15 ¹⁾	N	[kN]	7,6 ¹⁾		-	-	-
	C20/25	N	[kN]	9,5		5,4	12,3	32,7
	C25/30	N	[kN]	10,6		5,4	13,7	36,6
	C30/37	N	[kN]	11,7		5,4	15,0	40,1
	C40/50	N	[kN]	13,5		5,4	15,5	46,3
Loads, shear	C50/60	N	[kN]	15,1		5,4	15,5	51,8
	C12/15 ¹⁾	V	[kN]	13,3 ¹⁾		-	-	-
Bending moments	≥ C20/25	V	[kN]	13,3		6,6	14,5	65,5
		M	[Nm]	34,3		4,9	23,9	208,1
Spacing and edge distance								
Effective anchorage depth		h _{ef}	[mm]	65		45	65	125
Characteristic spacing		s _{cr,N}	[mm]	195		135	195	375
Characteristic edge distance		c _{cr,N}	[mm]	97,5		67,5	97,5	187,5
Minimum spacing		s _{min}	[mm]	60		70	100	190
Minimum edge distance		c _{min}	[mm]	120		90	130	250
Minimum thickness of concrete slab		h _{min}	[mm]	130		130	200	350
Installation parameters								
Drill hole diameter		d _o	[mm]	14		10	14	28
Diameter of clearance hole in the fixture		d _f	[mm]	16		12	16	31
Depth of drill hole		h _i	[mm]	85		60	85	150
Installation torque		T _{inst}	[Nm]	50		10	50	400
Width across nut		SW	[mm]	17		10	17	30

¹⁾Not part of assessment/approvals.

For anchor designing an easy to operate CD-ROM is available on request or can be downloaded at www.mkt.de.



Installation

