



Designated according to The Construction Products (Amendment etc.) (EU Exit) Regulations 2020

UK Technical Assessment	UKTA-0836-22/6207 of 21/10/2022
Technical Assessment Body issuing the UK Technical Assessment:	British Board of Agrément
Trade name of the construction product:	Wedge Anchor B / B fvz / B sh / B A2 / B A4 / B HCR
Product family to which the construction product belongs:	Mechanical fasteners for use in concrete
Manufacturer:	MKT-Metall-Kunststoff-Technik GmbH & Co. KG Auf dem Immel 2 67685 Weilerbach Germany
Manufacturing plant(s):	MKT-Metall-Kunststoff-Technik GmbH & Co. KG Auf dem Immel 2 67685 Weilerbach Germany
This UK Technical Assessment contains:	16 pages including 3 annexes which form an integral part of this assessment
This UK Technical Assessment is issued in accordance with The Construction Products (Amendment etc.) (EU Exit) Regulations 2020 on the basis of:	UKAD 330232-00-0601: <i>Mechanical fasteners for use in concrete</i>

Communication of this UK Technical Assessment, including transmission by electronic means, shall be in full. However, partial reproduction may be made with the written consent of the British Board of Agrément. Any partial reproduction must be identified as such.

1 Technical description of the product

The Wedge Anchor B / B fvz / B sh / B A2 / B A4 / B HCR is a fastener manufactured of zinc coated steel or stainless steel which is placed into a drilled hole and anchored by application of the installation torque.

The product description is given in Annex A.

2 Specification of the intended use(s) in accordance with the applicable UK Assessment Document (hereinafter UKAD)

The performances given in Section 3 are only valid if the anchor is used in compliance with the specifications and conditions given in Annex B.

The verifications and assessment methods on which this UK Technical Assessment is based lead to the assumption of a working life of the anchor of at least 50 years. The indications given on the working life cannot be interpreted as a guarantee given by the producer but are to be regarded only as a means for choosing the right products in relation to the expected economically reasonable working life of the works.

3 Performance of the product and references to the methods used for its assessment

3.1 Mechanical resistance and stability (BWR 1)

Essential characteristic	Performance
Characteristic resistance to tension load (static and quasi static loading) Method A	See Annex B4, C1 and C2
Characteristic resistance to shear load (static and quasi static loading)	See Annex C3
Displacements	See Annex C4
Characteristic resistance and displacements for seismic performance categories C1 and C2	No performance assessed
Durability	See Annex B1

3.2 Safety in case of fire (BWR 2)

Essential characteristic	Performance
Reaction to fire	Class A1
Resistance to fire	No performance assessed

3.3 Health, hygiene and the environment (BWR 3)

Not relevant

3.4 Safety and accessibility in use (BWR 4)

Not relevant

3.5 Protection against noise (BWR 5)

Not relevant

3.6 Energy economy and heat retention (BWR 6)

Not relevant

3.7 Sustainable use of natural resources (BWR 7)

No performance assessed

4 Assessment and verification of constancy of performance (hereinafter AVCP) system applied

According to UKAD No. 330232-00-0601 and Annex V of the Construction Products Regulation (Regulation (EU) 305/2011) as brought into UK law and amended, the system of assessment and verification of constancy of performance (AVCP) 1 applies.

5 Technical details necessary for the implementation of the AVCP system, as provided for in the applicable UKAD

Technical details necessary for the implementation of the AVCP system are laid down in the control plan deposited with the British Board of Agrément and made available to the UK Approved Bodies involved in the conformity attestation process.

5.1 UKCA marking for the product/ system must contain the following information:

- Identification number of the Approved Body
- Name/address of the manufacturer of the product/ system
- Marking with intention of clarification of intended use
- Date of marking
- Number of certificate of constancy of performance
- UKTA number.

On behalf of the British Board of Agrément



Date of Issue: 21 October 2022

Hardy Giesler
Chief Executive Officer



British Board of Agrément,
1st Floor Building 3,
Hatters Lane,
Croxley Park
Watford
WD18 8YG

ANNEX A1
Product description / Marking and dimensions

Wedge Anchor B / B fvz / B sh / B A2 / B A4 / B HCR

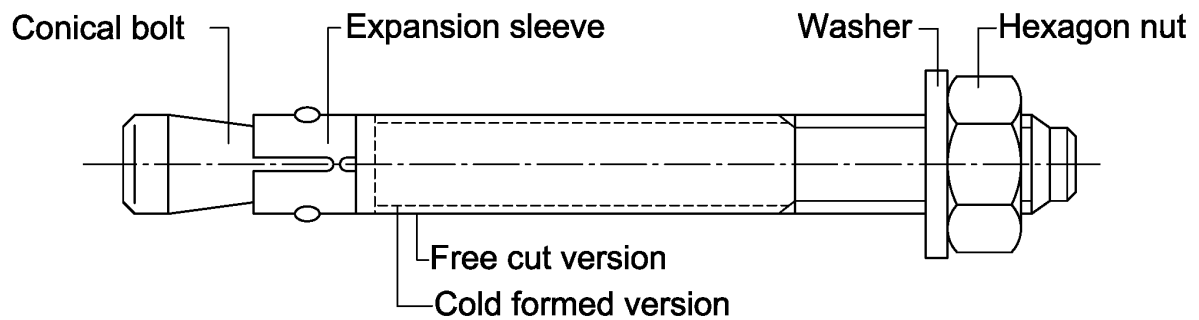


Table A1: Dimensions

Anchor size	Anchor length L			Wrench size
	Embedment depth $h_{ef,1}$	Embedment depth $h_{ef,2}$	Embedment depth $h_{ef,3}$	
M6	$t_{fix, hef.1} + 47.4$	$t_{fix, hef.2} + 57.4$	$t_{fix, hef.3} + 77.4$	10
M8	$t_{fix, hef.1} + 57.4$	$t_{fix, hef.2} + 66.4$	$t_{fix, hef.3} + 92.4$	13
M10	$t_{fix, hef.1} + 68.0$	$t_{fix, hef.2} + 74.0$	$t_{fix, hef.3} + 106.0$	17
M12	$t_{fix, hef.1} + 82.3$	$t_{fix, hef.2} + 97.3$	$t_{fix, hef.3} + 132.3$	19
M16	$t_{fix, hef.1} + 103.0$ ($t_{fix, hef.1} + 101.8$) ¹⁾	$t_{fix, hef.2} + 121.0$ ($t_{fix, hef.2} + 117.8$) ¹⁾	$t_{fix, hef.3} + 159.0$ ($t_{fix, hef.3} + 157.8$) ¹⁾	24
M20	$t_{fix, hef.1} + 120.7$	$t_{fix, hef.2} + 142.7$	$t_{fix, hef.3} + 157.7$	30

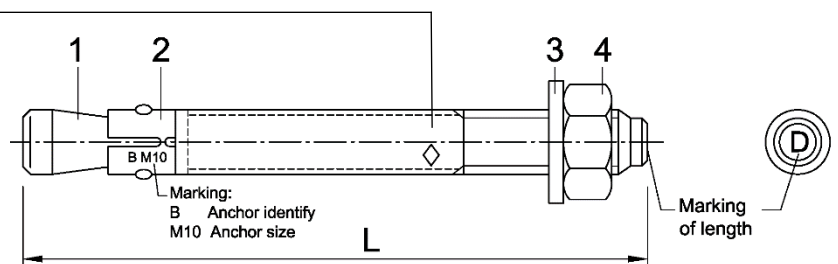
¹⁾ Anchor version B A2 / B A4 / B HCR

Marking: e.g.: \diamond 15/21

- \diamond Identifying mark of manufacturing plant
- 15 maximum thickness of fixture for $h_{ef,2}$
- 21 maximum thickness of fixture for $h_{ef,1}$

additional marking:

- A2 stainless steel
- A4 stainless steel
- HCR high corrosion resistant steel



Marking of length	A	B	C	D	E	F	G	H	I	J	K	L	M
Length of anchor min \geq	38.1	50.8	63.5	76.2	88.9	101.6	114.3	127.0	139.7	152.4	165.1	177.8	190.5
Length of anchor max $<$	50.8	63.5	76.2	88.9	101.6	114.3	127.0	139.7	152.4	165.1	177.8	190.5	203.2

Marking of length	N	O	P	Q	R	S	T	U	V	W	X	Y	Z
Length of anchor min \geq	203.2	215.9	228.6	241.3	254.0	279.4	304.8	330.2	355.6	381.0	406.4	431.8	457.2
Length of anchor max $<$	215.9	228.6	241.3	254.0	279.4	304.8	330.2	355.6	381.0	406.4	431.8	457.2	483.0

Dimensions in mm

ANNEX A2
Product description / Materials

Table A2: Materials

Part	Designation	Material
Zinc plated steel		
B	electroplated	≥ 5 µm according to EN ISO 4042:1999
B fvz	hot-dip galvanized	≥ 50 µm (average coating thickness according to EN ISO 10684:2004+AC:2009 or EN ISO 1461:2009)
B sh	sherardized	≥ 45 µm according to EN ISO 17668:2016
1	Conical bolt	Cold formed or machined steel
2	Expansion sleeve	Stainless steel
3	Washer	Steel, zinc plated
4	Hexagon nut	Steel, zinc plated
Stainless steel		
B A2 stainless steel CRC II ¹⁾		
1	Conical bolt	Stainless steel
2	Expansion sleeve	Stainless steel
3	Washer	Stainless steel
4	Hexagon nut	Stainless steel
B A4 stainless steel CRC III ¹⁾		
1	Conical bolt	Stainless steel
2	Expansion sleeve	Stainless steel
3	Washer	Stainless steel
4	Hexagon nut	Stainless steel
B HCR High corrosion resistant steel CRC V ¹⁾		
1	Conical bolt	High corrosion resistant steel
2	Expansion sleeve	Stainless steel
3	Washer	High corrosion resistant steel
4	Hexagon nut	High corrosion resistant steel

¹⁾ Corrosion resistance class according to EN 1993-1-4:2015, Annex A, Table A.3

ANNEX B1

Intended Use / Specifications of intended use

B / B fvz / B sh / B A2 / B A4 / B HCR		M6	M8	M10	M12	M16	M20
zinc plated steel	B (electroplated)	✓	✓	✓	✓	✓	✓
	B fvz (hot-dip galvanized)	-	✓	✓	✓	✓	✓
	B sh (sherardized)	✓	✓	✓	✓	✓	✓
stainless steel	B A2	✓	✓	✓	✓	✓	✓
	B A4	✓	✓	✓	✓	✓	✓
	B HCR	✓	✓	✓	✓	✓	✓
all versions	static or quasi-static action	✓					
	uncracked concrete	✓					

Base materials:

- Reinforced or unreinforced normal weight concrete without fibres according to EN 206:2013 + A1:2016
- Strength classes C20/25 to C50/60 according to EN 206:2013 + A1:2016

Use conditions (Environmental conditions):

- Structures subject to dry internal conditions (all materials)
- For all other conditions:

Anchor version	Use according to EN 1993-1-4:2015 corresponding to the corrosion resistance class CRC according to Annex A, Table A2
B A2	CRC II
B A4	CRC III
B HCR	CRC V

Design:

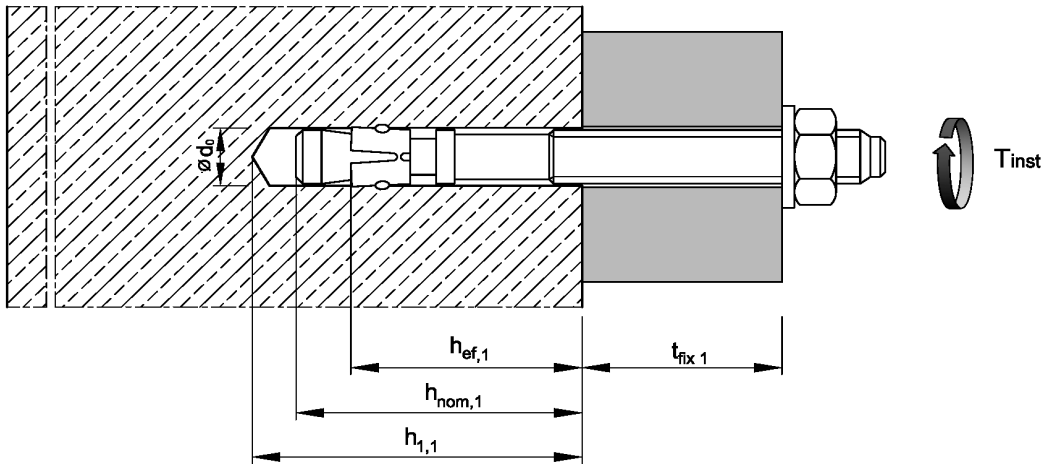
- Anchorages are designed under the responsibility of an engineer experienced in anchorages and concrete work.
- Verifiable calculation notes and drawings are prepared taking account of the loads to be anchored. The position of the anchor is indicated on the design drawings (e.g. position of the anchor relative to reinforcement or to supports, etc.).
- Anchorages are designed according to EN 1992-4:2018 or TR 055:2018.

Installation:

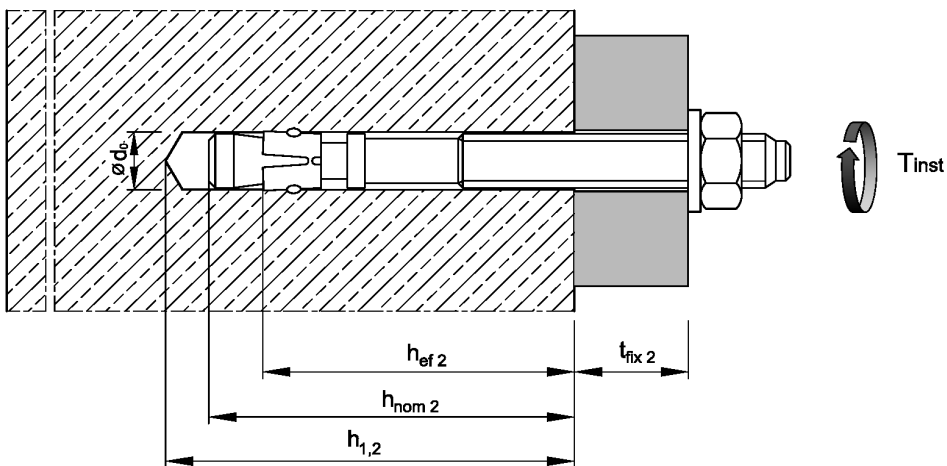
- Hole drilling by hammer drill bit or vacuum drill bit. Use of the fastener only as supplied by the manufacturer without exchanging the components of the fastener

ANNEX B2
Intended Use / Installation parameters

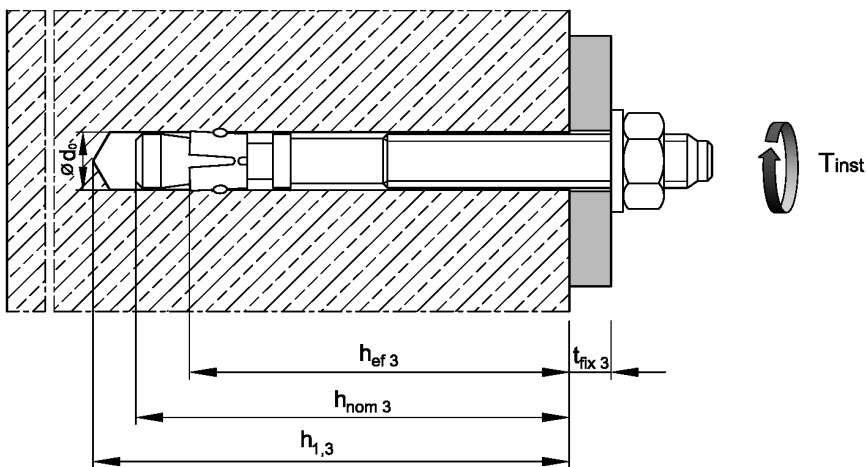
Effective embedment depths $h_{ef,1}$



Effective embedment depths $h_{ef,2}$



Effective embedment depths $h_{ef,3}$



ANNEX B3

Intended Use / Installation Data

Table B1 : Installation parameters

Anchor size			M6	M8	M10	M12	M16	M20	
Nominal drill hole diameter	$d_0 =$	[mm]	6	8	10	12	16	20	
Cutting diameter of drill bit	$d_{cut} \leq$	[mm]	6.40	8.45	10.45	12.5	16.5	20.55	
Installation torque	B	$T_{inst} =$	[Nm]	8	15	30	50	100	200
	B fvz	$T_{inst} =$	[Nm]	-	15	30	40	90	120
	B sh	$T_{inst} =$	[Nm]	5	15	30	40	90	120
	B A2 / B A4 / B HCR	$T_{inst} =$	[Nm]	6	15	25	50	100	160
Diameter of clearance hole in the fixture	$d_f \leq$	[mm]	7	9	12	14	18	22	
Embedment depth $h_{ef,1}$									
Effective embedment depth	$h_{ef,1} \geq$	[mm]	30	35	42	50	64	78	
Depth of drill hole	$h_{1,1} \geq$	[mm]	45	55	65	75	95	110	
Embedment depth	$h_{nom,1} \geq$	[mm]	39	47	56	67	84	99	
Embedment depth $h_{ef,2}$									
Effective embedment depth	$h_{ef,2} \geq$	[mm]	40	44	48	65	82 (80) ¹⁾	100	
Depth of drill hole	$h_{1,2} \geq$	[mm]	55	65	70	90	110	130	
Embedment depth	$h_{nom,2} \geq$	[mm]	49	56	62	82	102	121	
Embedment depth $h_{ef,3}$									
Effective embedment depth	$h_{ef,3} \geq$	[mm]	60	70	80	100	120	115	
Depth of drill hole	$h_{1,3} \geq$	[mm]	75	91	102	125	148	145	
Embedment depth	$h_{nom,3} \geq$	[mm]	69	82	94	117	140	136	

¹⁾ Anchor version B A2 / B A4 / B HCR

ANNEX B4
Intended Use / Minimum spacing and edge distances

Table B2 :Minimum spacings and edge distances, zinc plated steel ¹⁾

Anchor size			M6	M8	M10	M12	M16	M20
Embedment depth $h_{ef,1}$								
Minimum member thickness	h_{min}	[mm]	80	80	100	100	130	160
Minimum spacing	s_{min}	[mm]	35	40	55	100	100	140
Minimum edge distance	c_{min}	[mm]	40	45	65	100	100	140
Embedment depth $h_{ef,2}$								
Minimum member thickness	h_{min}	[mm]	100	100	100	130	170	200
Minimum spacing	s_{min}	[mm]	35	40	55	75	90	105
Minimum edge distance	c_{min}	[mm]	40	45	65	90	105	125
Embedment depth $h_{ef,3}$								
Minimum member thickness	h_{min}	[mm]	120	126	132	165	208	215
Minimum spacing	s_{min}	[mm]	35	40	55	75	90	105
Minimum edge distance	c_{min}	[mm]	40	45	65	90	105	125

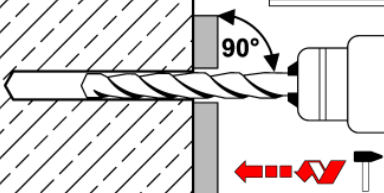
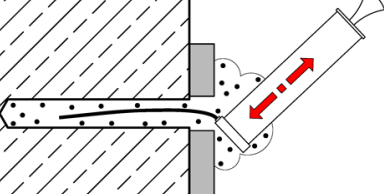
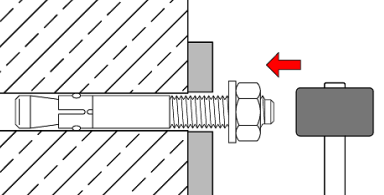
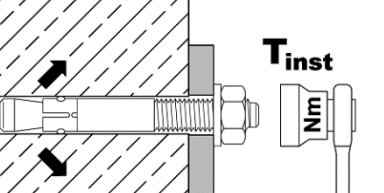
¹⁾ Anchor version B fvz: M8-M20

Table B3 : Minimum spacings and edge distances, stainless steel

Anchor size			M6	M8	M10	M12	M16	M20
Embedment depth $h_{ef,1}$								
Minimum member thickness	h_{min}	[mm]	80	80	100	100	130	160
Minimum spacing	s_{min}	[mm]	35	60	55	100	110	140
Minimum edge distance	c_{min}	[mm]	40	60	65	100	110	140
Embedment depth $h_{ef,2}$								
Minimum member thickness	h_{min}	[mm]	100	100	100	130	160	200
Minimum spacing	s_{min}	[mm]	35	35	45	60	80	100
	for $c \geq$	[mm]	40	65	70	100	120	150
Minimum edge distance	c_{min}	[mm]	35	45	55	70	80	100
	for $s \geq$	[mm]	60	110	80	100	140	180
Embedment depth $h_{ef,3}$								
Minimum member thickness	h_{min}	[mm]	120	126	132	165	200	215
Minimum spacing	s_{min}	[mm]	35	35	45	60	80	100
	for $c \geq$	[mm]	40	65	70	100	120	150
Minimum edge distance	c_{min}	[mm]	35	45	55	70	80	100
	for $s \geq$	[mm]	60	110	80	100	140	180

Intermediate values by linear interpolation.

ANNEX B5
Intended Use / Installation instructions

1		<p>Drill hole perpendicular to concrete surface. If using a vacuum drill bit, proceed with step 3.</p>
2		<p>Blow out dust. Alternatively, vacuum clean down to the bottom of the hole.</p>
3		<p>Drive in anchor, such that the selected embedment depth is met.</p>
4		<p>Apply installation torque T_{inst} as specified in Table B1.</p>

ANNEX C1

Performance / Characteristics values for tensions loads for B / B fvz / B sh

Table C1: Characteristic values for **tension loads, zinc plated steel** ¹⁾

Anchor size			M6	M8	M10	M12	M16	M20	
Installation factor	γ_{inst}	[-]	1.0						
Steel failure									
Characteristic resistance	$N_{Rk,s}$	[kN]	8.7	15.3	26	35	65	107	
Partial factor ⁴⁾	γ_{Ms}	[-]	1.5				1.6		
Pull-out									
Characteristic resistance in uncracked concrete C20/25	for $h_{ef,1}$	$N_{Rk,p}$	[kN]	6.5 ²⁾	10.2 ²⁾	13.4	17.4	25.2	33.9
	for $h_{ef,2}$	$N_{Rk,p}$	[kN]	10	13	16.4	25.8	36.5	49.2
	for $h_{ef,3}$	$N_{Rk,p}$	[kN]	10	13	16.4	26	40	55
Increasing factor $N_{Rk,p} = \psi_C \cdot N_{Rk,p} (C20/25)$	ψ_C	[-]	$\left(\frac{f_{ck}}{20}\right)^{0,5}$				$\left(\frac{f_{ck}}{20}\right)^{0,33}$	$\left(\frac{f_{ck}}{20}\right)^{0,5}$	
Splitting									
Characteristic resistance	$N^0_{Rk,sp}$	[kN]	min [$N_{Rk,p}$; $N^0_{Rk,c}$ ³⁾]						
Embedment depth $h_{ef,1}$									
Spacing	$S_{cr,sp}$	[mm]	180	210	230	240	320	400	
Edge distance	$C_{cr,sp}$	[mm]	90	105	115	120	160	200	
Embedment depth $h_{ef,2}$									
Spacing	$S_{cr,sp}$	[mm]	160	220	240	330	410	500	
Edge distance	$C_{cr,sp}$	[mm]	80	110	120	165	205	250	
Embedment depth $h_{ef,3}$									
Spacing	$S_{cr,sp}$	[mm]	160	220	240	330	410	520	
Edge distance	$C_{cr,sp}$	[mm]	80	110	120	165	205	260	
Concrete cone failure									
Effective embedment depth	for $h_{ef,1}$	[mm]	30 ²⁾	35 ²⁾	42	50	64	78	
	for $h_{ef,2}$	[mm]	40	44	48	65	82	100	
	for $h_{ef,3}$	[mm]	60	70	80	100	120	115	
Spacing	$S_{cr,N}$	[mm]	3 $h_{ef} (1,2,3)$						
Edge distance	$C_{cr,N}$	[mm]	1.5 $h_{ef} (1,2,3)$						
Factor	uncracked concrete	$k_{ucr,N}$	[-]	11.0					
	cracked concrete	$k_{cr,N}$	[-]	No performance assessed					

¹⁾ Anchor version B fvz: M8-M20

²⁾ Restricted to the use of structural components with $h_{ef} < 40\text{mm}$ which are statically indeterminate and subject to internal exposure conditions only

³⁾ $N^0_{Rk,c}$ according to EN 1992-4:2018

⁴⁾ In absence of other national regulations

ANNEX C2

Performance / Characteristics values for tensions loads for B A2 / B A4 / B HCR

Table C2: Characteristic values for tension loads, stainless steel

Anchor size				M6	M8	M10	M12	M16	M20	
Installation factor		γ_{inst}	[-]	1.0						
Steel failure										
Characteristic resistance		$N_{Rk,s}$	[kN]	10	18	30	44	88	134	
Partial factor ³⁾		γ_{Ms}	[-]	1.50						
Pull-out										
Characteristic resistance in uncracked concrete C20/25	for $h_{ef,1}$	$N_{Rk,p}$	[kN]	6.5 ¹⁾	9 ¹⁾	12	17.4	25.2	33.9	
	for $h_{ef,2}$	$N_{Rk,p}$	[kN]	8	15	16.4	25	35.2	49.2	
	for $h_{ef,3}$	$N_{Rk,p}$	[kN]	8	15	16.4	25	42	60	
Increasing factor $N_{Rk,p} = \psi_C \cdot N_{Rk,p}$ (C20/25)		ψ_C	[-]	$\left(\frac{f_{ck}}{20}\right)^{0,5}$						
Splitting										
Characteristic resistance		$N^0_{Rk,sp}$	[kN]	min [$N_{Rk,p}$; $N^0_{Rk,c}$ ²⁾]						
Embedment depth $h_{ef,1}$										
Spacing		$S_{cr,sp}$	[mm]	180	210	230	300	320	400	
Edge distance		$C_{cr,sp}$	[mm]	90	105	115	150	160	200	
Embedment depth $h_{ef,2}$										
The higher one of the decisive resistances of Case 1 and Case 2 is applicable										
Case 1	Characteristic resistance		$N^0_{Rk,sp}$	[kN]	6	9	12	20	30	40
	Spacing		$S_{cr,sp}$	[mm]	3 h_{ef}					
	Edge distance		$C_{cr,sp}$	[mm]	1,5 h_{ef}					
	Increasing factor $N^0_{Rk,sp} = \psi_C \cdot N^0_{Rk,sp}$ (C20/25)		ψ_C	[-]	$\left(\frac{f_{ck}}{20}\right)^{0,5}$					
Case 2	Spacing		$S_{cr,sp}$	[mm]	160	220	240	340	410	560
	Edge distance		$C_{cr,sp}$	[mm]	80	110	120	170	205	280
Embedment depth $h_{ef,3}$										
Spacing		$S_{cr,sp}$	[mm]	160	220	240	340	410	620	
Edge distance		$C_{cr,sp}$	[mm]	80	110	120	170	205	310	
Concrete cone failure										
Effective embedment depth	for $h_{ef,1} \geq$		[mm]	30 ¹⁾	35 ¹⁾	42	50	64	78	
	for $h_{ef,2} \geq$		[mm]	40	44	48	65	80	100	
	for $h_{ef,3} \geq$		[mm]	60	70	80	100	120	115	
Spacing		$S_{cr,N}$	[mm]	3 h_{ef}						
Edge distance		$C_{cr,N}$	[mm]	1.5 h_{ef}						
Factor	uncracked concrete		$k_{ucr,N}$	[-]	11.0					
	cracked concrete		$k_{cr,N}$	[-]	No performance assessed					

¹⁾ Restricted to the use of structural components with $h_{ef} < 40\text{mm}$ which are statically indeterminate and subject to internal exposure conditions only

²⁾ $N^0_{Rk,c}$ according to EN 1992-4:2018

³⁾ In absence of other national regulations

ANNEX C3
Performance / Characteristics values for shear loads

Table C3: Characteristic values for shear loads

Anchor size				M6	M8	M10	M12	M16	M20
Installation factor		γ_{inst}	[-]	1.0					
Steel failure without lever arm									
Characteristic resistance	zinc plated steel ¹⁾	$V^0_{Rk,s}$	[kN]	5	11	17	25	44	69
	stainless steel	$V^0_{Rk,s}$	[kN]	7	12	19	27	50	86
Ductility factor		k_7	[-]	1.0					
Steel failure with lever arm									
Characteristic bending resistance	zinc plated steel ¹⁾	$M^0_{Rk,s}$	[Nm]	9	23	45	78	186	363
	stainless steel	$M^0_{Rk,s}$	[Nm]	10	24	49	85	199	454
Partial factor ⁴⁾ for $V^0_{Rk,s}$ and $M^0_{Rk,s}$	zinc plated steel ¹⁾	γ_{Ms}	[-]	1.25				1.33	
	stainless steel	γ_{Ms}	[-]	1.25				1.4	
Concrete pry-out failure									
Factor for h_{ef}	zinc plated steel ¹⁾	k_8	[-]	1.0	2.3	2.5	2.9	2.8	3.1
	stainless steel	k_8	[-]	1.0	2.3	2.8	2.8	3.0	3.3
Concrete edge failure									
Effective length of anchor in shear loading	for $h_{ef,1}$	l_f	[mm]	30 ²⁾	35 ²⁾	42	50	64	78
	for $h_{ef,2}$	l_f	[mm]	40	44	48	65	82 (80) ³⁾	100
	for $h_{ef,3}$	l_f	[mm]	60	70	80	100	120	115
Outside diameter of anchor		d_{nom}	[mm]	6	8	10	12	16	20

¹⁾ Anchor version B fvz: M8-M20

²⁾ Restricted to the use of structural components which are statically indeterminate and subject to internal exposure conditions only

³⁾ Anchor version stainless steel

⁴⁾ In absence of other national regulations

ANNEX C4
Performance / Displacements

Table C4: Displacements under tension load

Anchor size			M6	M8	M10	M12	M16	M20
Embedment depth $h_{ef,1}$								
zinc plated steel ¹⁾								
Tension load	N	[kN]	2.9	5.0	6.5	8.5	12.3	16.6
Displacement	δ_{N0}	[mm]	0.3	0.4				
	$\delta_{N\infty}$	[mm]	0.6	1.8				
stainless steel								
Tension load	N	[kN]	2.9	4.3	5.7	8.5	12.3	16.6
Displacement	δ_{N0}	[mm]	0.4	0.7	0.4	0.4	0.6	1.5
	$\delta_{N\infty}$	[mm]	1.3					2.9
Embedment depth $h_{ef,2}$ and $h_{ef,3}$								
zinc plated steel ¹⁾								
Tension load	N	[kN]	4.3	5.8	7.6	11.9	16.7	23.8
Displacement	δ_{N0}	[mm]	0.4	0.5				
	$\delta_{N\infty}$	[mm]	0.7	2.3				
stainless steel								
Tension load	N	[kN]	3.6	5.7	7.6	11.9	17.2	24.0
Displacement	δ_{N0}	[mm]	0.7	0.9	0.5	0.6	0.9	2.1
	$\delta_{N\infty}$	[mm]	1.8					4.2

¹⁾ Anchor version B fvz: M8-M20

Table C5: Displacements under shear loads

Anchor size			M6	M8	M10	M12	M16	M20
zinc plated steel ¹⁾								
Shear load	V	[kN]	2.9	6.3	9.7	14.3	23.6	37.0
Displacement	δ_{V0}	[mm]	1.2	1.5	1.6	2.6	3.1	4.4
	$\delta_{V\infty}$	[mm]	2.4	2.2	2.4	3.9	4.6	6.6
stainless steel								
Shear load	V	[kN]	4.0	6.9	10.9	15.4	28.6	43.7
Displacement	δ_{V0}	[mm]	1.1	2.0	1.2	2.0	2.2	2.1
	$\delta_{V\infty}$	[mm]	1.7	3.0	1.8	3.0	3.3	3.2

¹⁾ Anchor version B fvz: M8-M20



British Board of Agrément,
1st Floor Building 3,
Hatters Lane,
Croxley Park
Watford
WD18 8YG